

7.2 AFTER-SALES SERVICE

The Manufacturer is always willing to answer Customer's questions and give information on use, maintenance or installation and so on. Please follow the instructions given under paragraph 1.2 on how to request our assistance.

8 SPARE PARTS

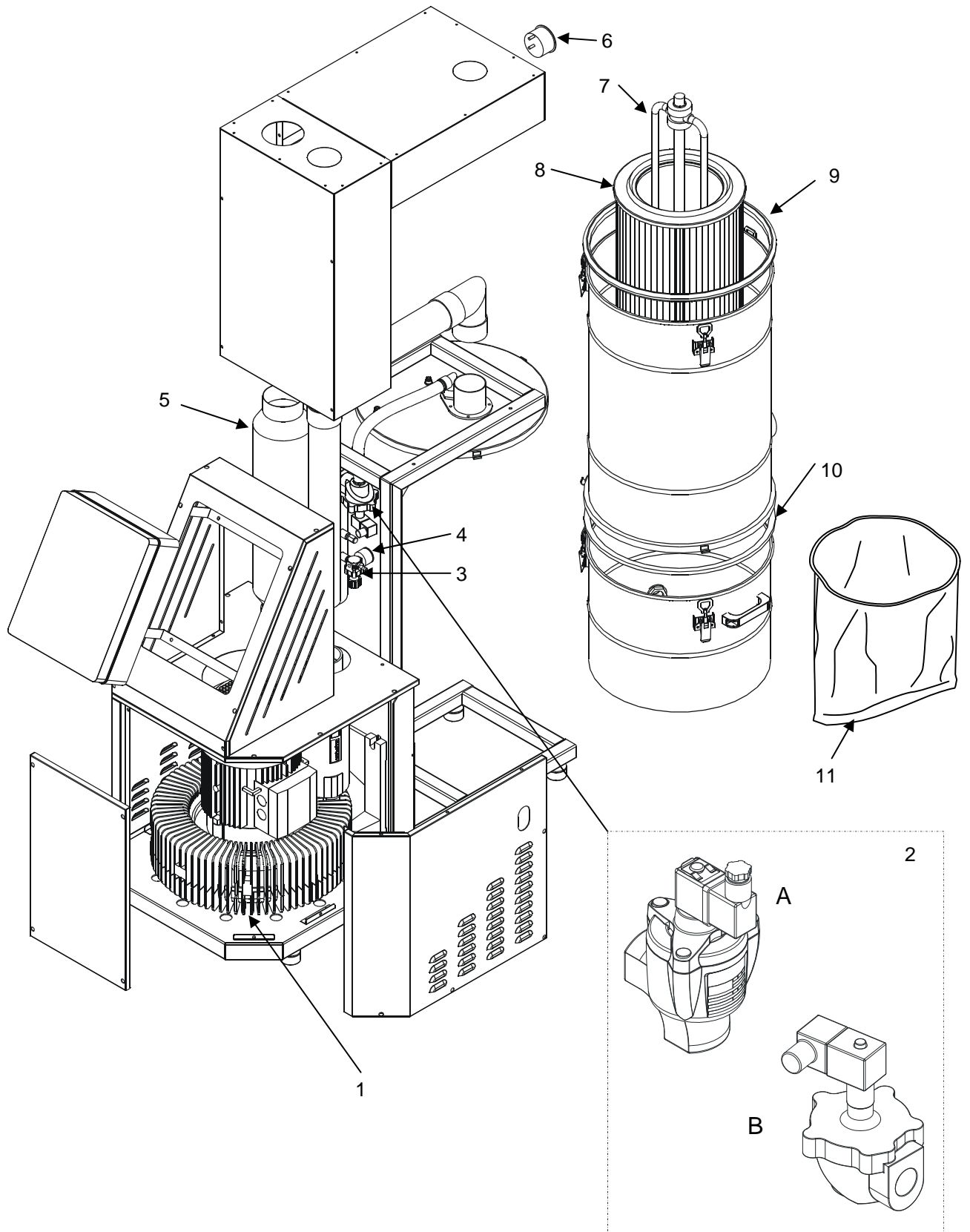
8.1 SPARE PARTS LIST

Exhauster use does involve some expendable parts. Following is the list of available spare parts and expendable parts.

Table 8.1- A

POS.	DESCRIPTION	PART NO.
1	Side-channel blower	Eco 40: SK40-1-S Eco 55: SK55-1-S-ST Eco 75: SK75-1-S-ST
2	Solenoid valve	A: 9029 B: 9018
3	Pressure regulator	PCX-0001
4	Pressure gauge	K2-78
5	Silencer	SIL-6
6	Differential pressure gauge	8153
7	Dedusting device	K5-0080
8	Filter cartridge	K5-38-C-Allum
9	Top seal	7860-0134
10	Bottom seal	7867-0134
11	Dust collection bag	99987





Please, see descriptions in Table 8.1 A - page 20